



# FLEXIBLE COUPLING FOR COMPRESSOR AND DG SET

## □ INTRODUCTION :

- The TAC/TVN coupling is an axial pluggable highly flexible coupling developed for a variety of different applications.
- This disc element is vulcanized at its inner radius, the outer radius is connected to the flanged casing by a plug-in toothing.
- This toothing provides the axial plug-in feature and compensation of shaft displacements.



## □ INDUSTRY APPLICATION :

- Engine Drives, Compressors etc.

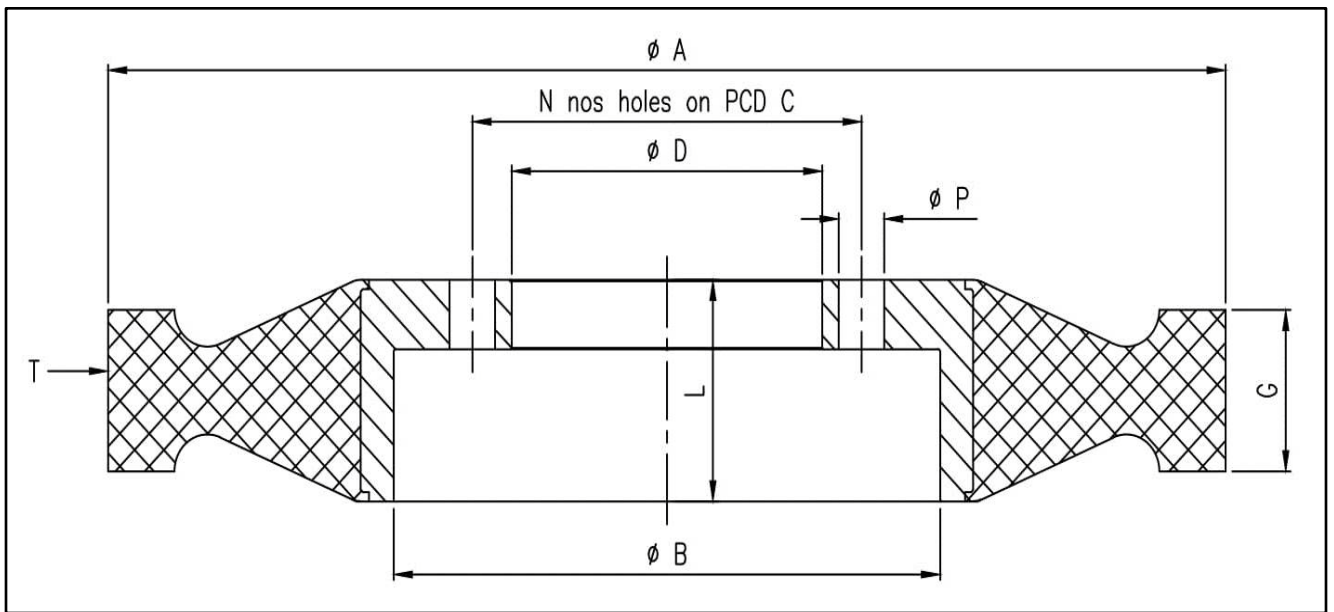
## □ SALIENT FEATURES :

- Easy installation.
- High damping character.
- Max. Axial radial angular misalignment.
- Zero maintenance.
- No lubrication.



## □ ADVANTAGE :

- Maximum flexibility is provided by different coupling designs installation in bell-type housings or free-standing installations, designed with single or dual arrangement of natural rubber or silicone.
- There is an extremely compact design for high power density.
- This spline enables axial engagement with ease of assembly.
- Integrated supporting rings protect the spline against slipping through or developing cracks in the gearing teeth.



### ❑ TAC & TVN ELEMENT DIMENSIONS CHART :

SIZE	ØA (mm)	ØB (mm)	PCD C (mm)	ØD (mm)	N (NOS)	ØP (mm)	L (mm)	G (mm)	T (RUBBER TEETH)
TAC 1615	270	132	94	75	6	11	48	35	24
TAC 1912	332	175	135	110	12	14	46	40	24
TAC 6	404	202	156	126	12	17	102	60	24
TAC 6.5	405	242	195	165	12	17.5	90	76	24
TAC 330	332	-	132	98	8	16	40	40	24
TVN 430	439	180	150	125	20	13.5	58	42	24
TAC 2613	442.5	240	190	155	12	18	63	56	24

### ❑ ECD RUBBER BONDED FLEXIBLE COUPLING

ECD type coupling is a combination of metal & rubber bonded flexible suitable for high torque transmissions.

